

WasteCaddy

Powered Dumpster Movers



WasteCaddy Lite

Moves dumpsters that would normally require 1 or 2 personnel.
Up to 2000lb capacity on a level surface. Slight inclines.



WasteCaddy Standard

Moves dumpsters that would require 2-3 personnel.
Up to 5000lbs capacity on a level surface. Moderate to steep inclines.



WasteCaddy HD

Moves dumpsters up to 10,000lbs on a level surface.
Will move loads up steep inclines such as parking garage ramps.



WasteCaddy Trash Hauler

Used for moving sausage bag compactor trash or collecting general debris.
Multiple options for tip bin size and height. Models range from 1,000lb capacity to 5,000lb capacity over a flat surface. Slight to steep inclines.



WasteCaddy Rider

Used primarily for moving dumpsters over longer distances.
Up to 10,000lbs capacity on a level surface. Slight to steep inclines.

Capacity estimates are based on use over a level, dry surface. We guarantee our recommendation will meet your needs or your money back. See our **Try Before You Buy program** for more details.

Available Options

- Safety Horn
- Foam Filled Non-Marking Tires
- Snow-Hog Tires
- E-stop Safety Switch
- Flashing Light And Pole
- Maintenance Free Sealed Batteries
- 15 Amp Weatherproof Charger
- Dumpster Receiver Brackets – Bolt one bracket to each dumpster



Safety

The trash room is the #1 area for injuries in a multi-family property.



Efficiency

The WasteCaddy can double efficiency in the trash room.



Risk

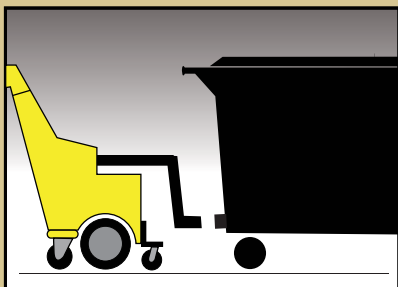
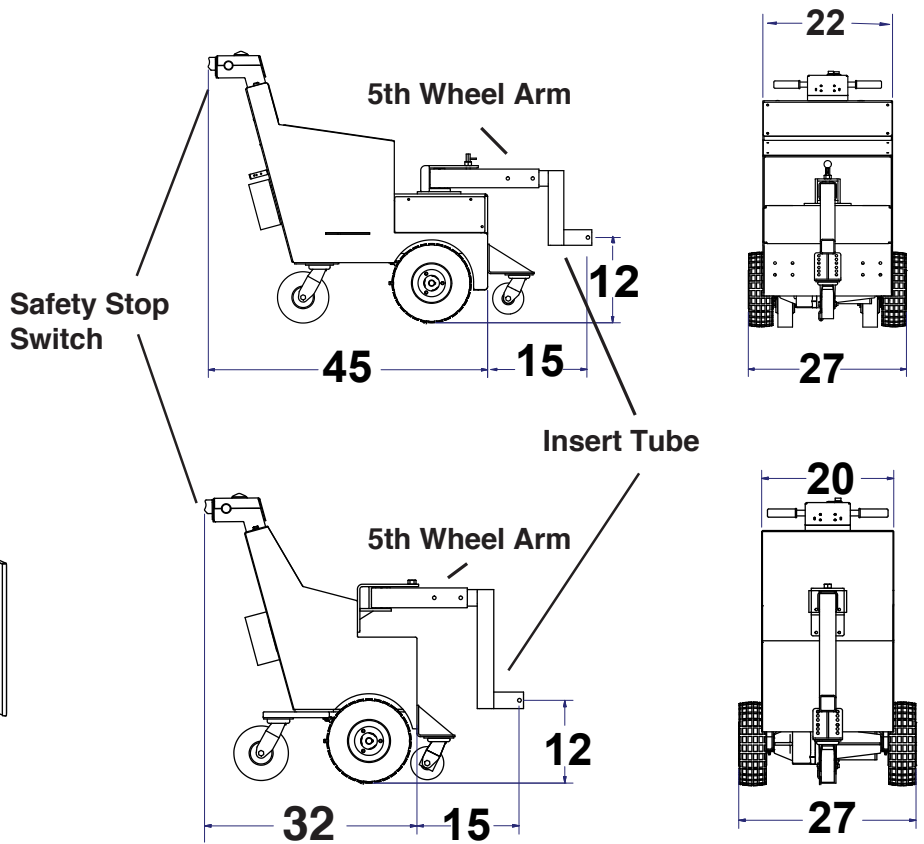
Reduce Workers Comp insurance premiums and lower your E-MOD rating.

WasteCaddy Standard
WasteCaddy Heavy Duty

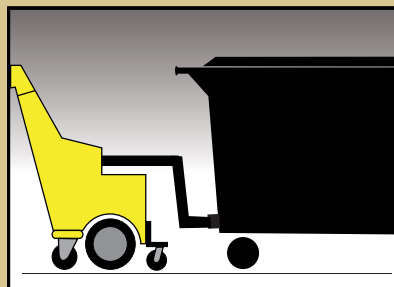
WasteCaddy Lite



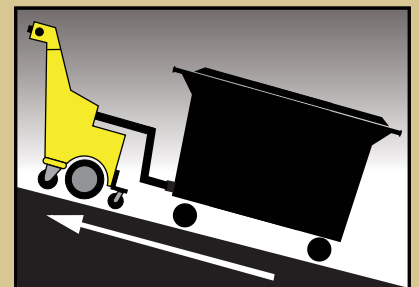
Bolt on receiver & pin for connecting to any trash container



Insert tube on the front of the WasteCaddy attaches to the bottom of the dumpster.



Custom receivers provided for quick and easy connection to containers.



The WasteCaddy easily pulls heavy trash containers up inclines through snow and ice.